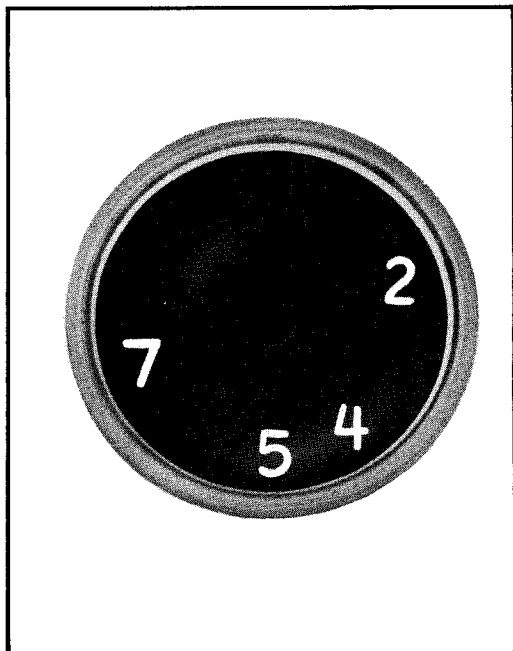




READOUT DEVICES



NUMERICAL INDICATOR

Type B-9012

PIXIE® Position Indicator Tube

The B-9012 is a gas-filled, cold cathode, indicator tube. It contains ten glow positions or cathodes located 36° apart which are visible through numerical perforations in a plate located above the cathodes. The plate serves as a common anode and functions in the manner of an internal bezel with the indicated number determined by the position of the glow discharge. A twelfth electrode functions as a "keep alive" to obtain rapid ionization for those applications in which this property is desirable.

The PIXIE Indicator Tube is an extremely low cost device which has the ability to display up to ten independent bits of information simultaneously. It is ideal for counting or status displays and requires very low power. It has the same long life characteristics as Burroughs NIXIE Indicator Tubes.

MECHANICAL DATA

Overall Length	1.040 max.
Seated Height720 ±.060
Bulb Diameter	1.080 max.
Socket	SK-111 H, SK-111 V
Mounting Position	Any
Weight	1.0 oz. max.

ELECTRICAL DATA

ABSOLUTE RATINGS

Individual Cathode Ionization Voltage	150 Vdc max.
Individual Cathode Current	600μ Adc max.
Keep Alive Ionization Voltage	180 Vdc max.

TEST CONDITIONS

Anode to Cathode Supply Voltage	150 Vdc
Anode Series Resistor	82 K
Anode to Keep Alive Supply Voltage	180 Vdc
Cathode Current	400 ua max. 250 ua min.

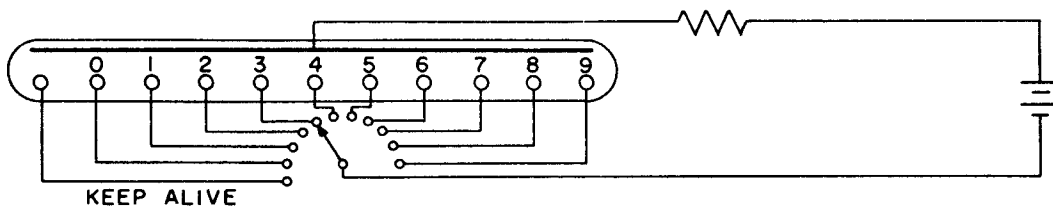
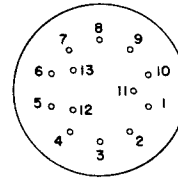
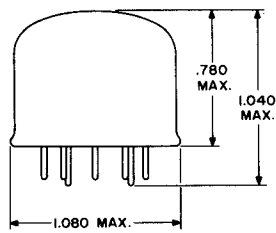
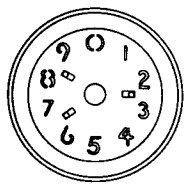


Figure 1. BASIC CIRCUIT

NOTES

1. The basic circuit shown in Figure 1 is used for test purposes only. Individual cathodes are checked for proper ionization with a 150 Vdc supply voltage; the keep alive electrode is checked with a supply voltage of 180 Vdc. For simultaneous ionization of several digits, the test circuit must be modified to contain individual 82K resistors in each cathode rather than a single 82K anode resistor. Use of the keep alive electrode is not required unless ionization times on the order of several microseconds are desired. When using the keep alive electrode, it must be connected through a 4.7 megohm resistor to a separate supply.



BOTTOM VIEW

PIN NO.	CHARACTER
1	2
2	1
3	0
4	9
5	8
6	7
7	6
8	5
9	4
10	3
11	ANODE
12	KEEP ALIVE
13	ANODE

Figure 2. OUTLINE DRAWING

Figure 3. PIN CONNECTIONS

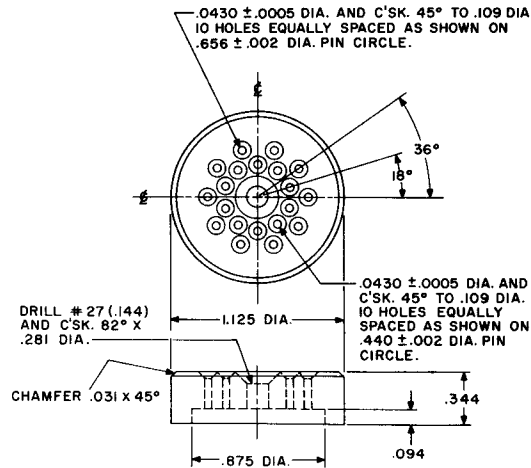
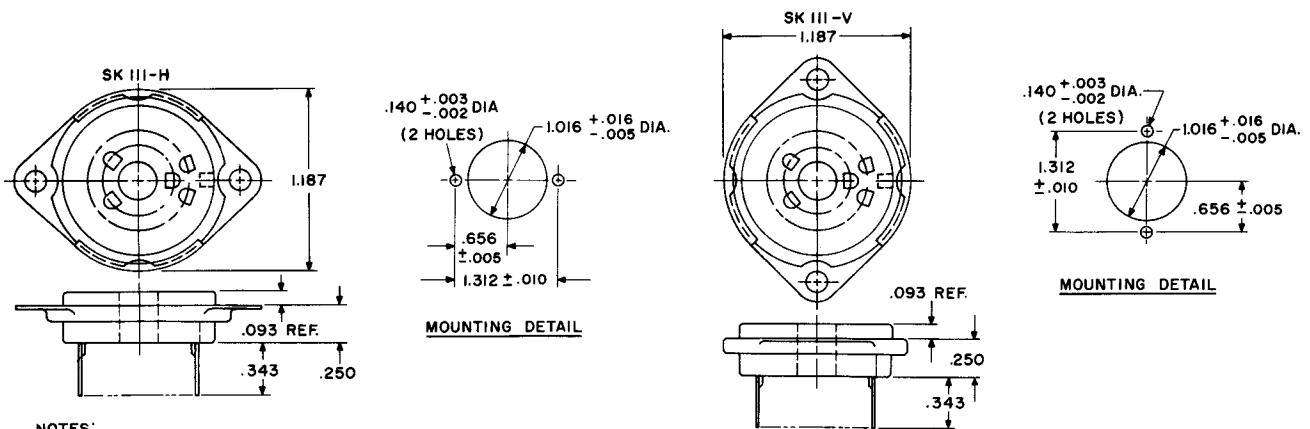


Figure 4. PIN STRAIGHTENER, LS-203



NOTES:

1. THE SADDLE IS PERMANENTLY FASTENED TO SOCKET.
2. SK III-H IS FOR HORIZONTAL MOUNTING.
3. SK III-V IS FOR VERTICAL MOUNTING.

Figure 5. GENERAL PURPOSE SOCKETS, SK-111-H AND SK-111-V

ANOTHER ELECTRONIC CONTRIBUTION BY
Burroughs Corporation
 ELECTRONIC COMPONENTS DIVISION
 PLAINFIELD, NEW JERSEY

The information contained in this brochure does not necessarily imply a license under patents or pending applications of Burroughs Corp. or assure a freedom from patent rights of others. No warranties of any kind are either expressed or implied by reason of this publication.