



DIONICS, INC.

65 Rushmore Street
Westbury, NY 11590

Phone: (516) 997-7474

Fax: (516) 997-7479

Website: www.dionics-usa.com

GAS DISCHARGE DISPLAY SEGMENT DRIVERS

DI-230A DI-240A

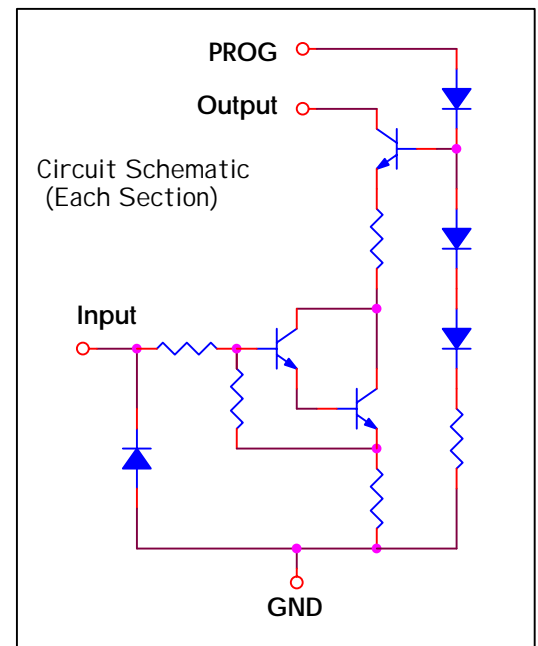
General Description:

The DIONICS DI-230A / DI-240A Series circuits are designed to drive gas discharge display devices from signals originating from MOS or TTL circuitry. Each output is a switched, programmable constant current sink with a voltage compliance of 80 or 125 Volts.

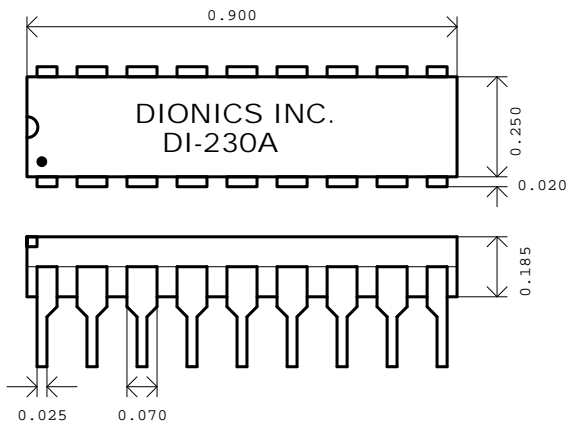
These circuits provide for simple interfaces with displays such as the Beckman, Burroughs Panaplex[®], Cherry or equivalents.

Features:

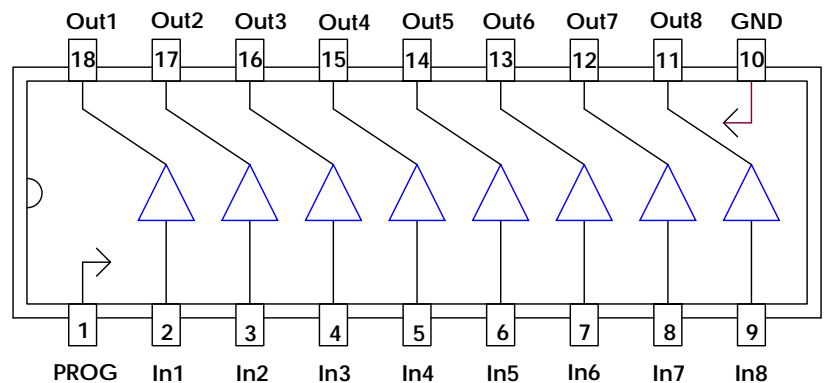
- ✓ High Breakdown Voltage: 80V or 125V.
- ✓ High Input Voltage Capability: 40V
- ✓ TTL or MOS Compatible
- ✓ All Output Currents Programmed with Single Resistor
- ✓ Requires Few Additional Components
- ✓ Equivalent To DM-8889, MC3491, ITT-505
- ✓ DC Restoring Input Diode



Package Layout:



Pin Connections



Absolute Maximum Rating (Ta = 25 °C)				
Characteristic	Symbol	Notes	Limits	Units
Input Voltage	V _{in}	Measured With Respect to GND Terminal	40	V
Output Current	I _o		5	mA
Output Voltage DI-230	V _o	Measured With Respect to GND Terminal	80	V
Output Voltage DI-240	V _o	Measured With Respect to GND Terminal	125	V
Power Dissipation DI-230; DI-240	P _D	Derate at 8 mW/ °C Above 25 °C Ambient	800	mW
Storage Temperature	T _s		-55 to +125	°C
Operating Temperature*	T _o		0 to +70	°C

Electrical Characteristics (Ta = 25 °C)						
Parameter	Symbol	Conditions	Min.	Typ.	Max.	Units
Output Saturation Voltage	V _o (SAT)	I _o =1mA; V _i =3.5V; R _p =27kΩ; V _p =10V		5		V
Output Leakage Current	I _o (OFF)	V _o = Rated Voltage; V _i = 0.4V; R _p = 27kΩ; V _p = 10V		0.1	10	μA
Output Current Match	ΔI _o / I _o	V _o =60V; V _i =3.5V; R _p =27kΩ; V _p =10V		± 5	± 10	%
Output Current	I _o (ON)	V _o =60V; V _i =3.5V; R _p =27kΩ; V _p =10V	1.0	1.2	1.4	mA
Input Current	I _i	V _i = 7.0V	250	370	500	μA

Typical Application:

