

INTERFACING A BURROUGHS SELF-SCAN DISPLAY PANEL TO YOUR EDUC-8

A Burroughs Self-Scan display panel is very suitable for use with the EDUC-8 computer system, offering full alphanumeric readout with large, brightly lit characters. The interfacing needed to hook up such a panel to your machine is quite straightforward, as explained below.

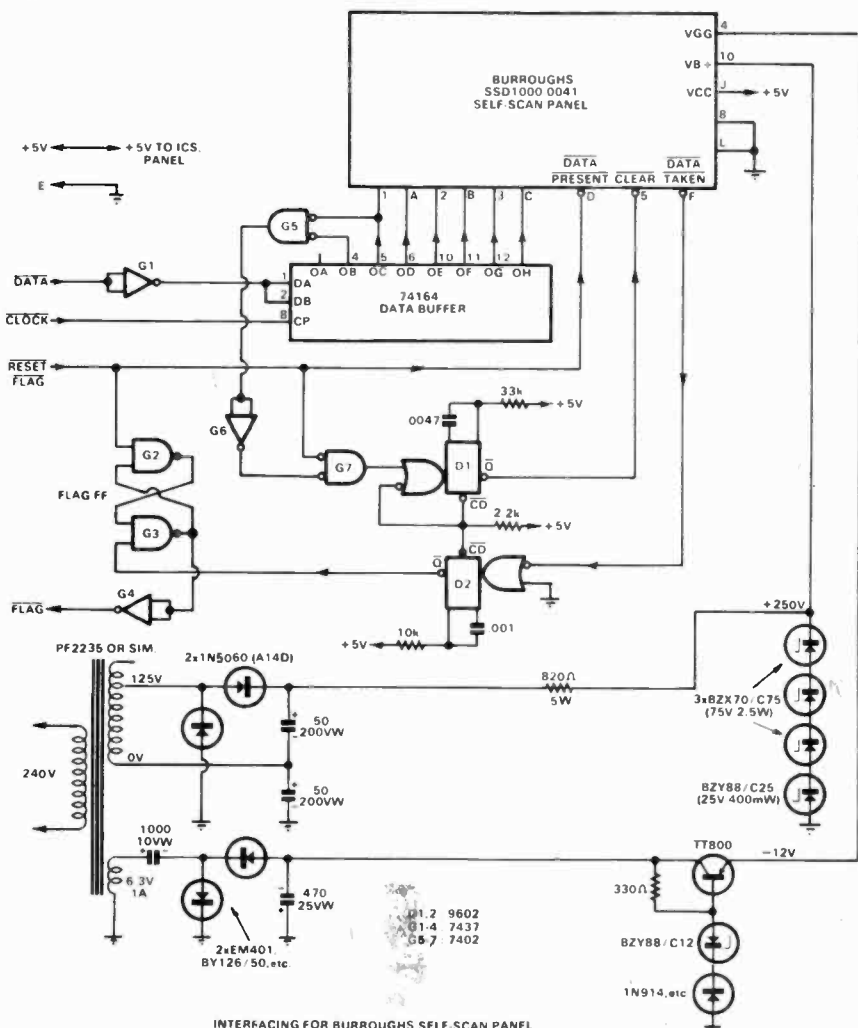
There are a number of display panels in the Burroughs range which could be used with the EDUC-8 system. I elected to try the SSD1000-0041, which has an internal refresh memory and can display a line of 16 characters 10mm high. Alternatively you could use the SSD1000-0040, which can display a line of 32 characters about 5mm high. There is also a panel which will display up to 80 characters 5mm high. All panels are available from Cema Distributors Pty Ltd, of 21 Chandos St, Crows Nest NSW 2065.

The SSD1000-0041 costs \$204, plus \$2 for a matching 10-way PC connector (SR-127), and plus 15% sales tax where applicable. This seems quite reasonable considering that it offers inbuilt refresh memory. Cema are providing data sheets with each unit purchased.

For details on the operation of Self-Scan discharge panels, I can only refer you here to Greg Swain's article in the October 1974 issue of Electronics Australia.

The interfacing required for the 16-character panel is shown below, and as you can see it is quite straightforward. A 74164 device is used as a data buffer, to provide the panel with its required 6-bit ASCII characters. The RESET FLAG(L) pulse is used to enable the panel's DATA PRESENT(L) input, while the panel's subsequent DATA TAKEN(L) output is used to set the flag FF via monostable D2—used to stretch the pulse to ensure overlapping the input pulse. Gates G5, G6 and G7 and monostable D1 are used to clear the display whenever a carriage return or similar non-printing control character is received, to begin a new line.

The Self-Scan panel requires two additional supply voltage apart from the +5V from the computer: +250V for the actual display, and -12V for the MOS refresh memory. These are provided by the simple power supply shown. Note that zeners are used to regulate the 250V line, which must be maintained within plus/minus 5%.



printed circuit

- Accurately machine printed / etched.
- Phenolic & fibreglass-gold / tin plated.
- Special manufacturers' packs of 10.
- EA, R&H, ET, Philips, Mullard available.
- Specials to your drawing.
- Plus post 40c. Imm despatch.

ET1533A-B	2.50	ET601H	2.50	72T20	2.20
ET1440	4.50	ET601G	2.80	ET023	2.80
ET1400	2.00	74A1	2.20	ET021	2.80
75W3	2.00	74HPL	2.00	72T2ABC	4.40
ET1532	2.20	7312T2.80		73V1B	3.30
ET1529B	3.30	ET601D	2.20	73V1A	6.60
ET1529A	4.50	ET601C	2.80	72SA1	3.30
ET1702	2.50	ET420C	2.40	ET022	2.80
ET601R	2.60	ET420D	2.40	71C12	4.40
ET601P	2.50	ET420B	2.80	ET019	2.80
E8SRT	3.00	ET420A	2.20	ET018	2.80
75EM6	2.50	ET524	2.80	ET017	2.80
75SD4	2.50	ET601B	3.30	ET014	2.80
75A01	2.50	ET601M	3.90	ET007	2.50
ET414E	2.50	ET601F	2.80	71T12	3.30
ET41402	3.20	ET601E	3.90	ET011	2.00
ET430	2.00	ET601A	3.30	71P8	2.80
ET314	2.00	73TU11	2.80	ET008	2.80
ET116	2.50	73P11	2.80	72C2	3.90
E8S	3.00	ET520A	4.40	ET012	2.20
E8K1	3.00	ET520B	4.40	72A6	2.50
ET520	2.00	73C12	4.90	72P56	2.20
ET312	3.00	73BA9	2.80	ET006	2.80
75D1	2.50	ET113	3.10	ET034	2.90
74MX12D	3.50	ET419	2.20	71SA4C	3.30
74MX12C	2.60	ET218	3.50	71SA4B	2.80
74MX12B	3.20	ET417	1.70	71SA4A	2.80
74MX12A	2.60	ET309	2.80	ET025	2.80
ET701	2.50	ET4140	1.30	71W7B	2.20
ET527	2.00	73TU7	2.80	71W7A	2.20
ET428	2.80	73S6	1.30	ET003	2.80
ET313	2.00	ET521	3.90	7103	4.00
ET530	2.00	ET213	1.10	ET005A	2.50
ET427	2.50	ET416	3.30	71TU2	2.20
ET426	2.00	73D1	1.70	70SL1	4.00
74MX8	2.00	ET518	2.20	70PA1	4.00
74EM9	2.50	733C	2.80	70RD1	4.00
74TU8	2.50	73T1	2.80	70TX2	4.00
ET429	2.20	ET414C	2.80	70F10	2.20
E8X	5.00	ET414B	2.80	70A2	4.00
E810T	5.00	ET414A	2.80	ET004	4.00
E8P	5.00	72M12	2.80	70CD1	2.20
E8M	5.00	72SA9M	2.80	71R1	2.20
E8O	5.00	ET413	2.80	70G7	2.00
E8A	5.00	ET034A	3.10	70P6	4.00
E8T	5.00	72S11	2.80	71A8	2.50
E8F	6.00	72G7	2.80	70K6	4.00
E8C	6.00	72110	1.30	70BF08	2.20
74C9	4.20	7211T	3.30	71R1	4.00
7408	4.00	ET037-40	6.00	70TX1	6.00
ET424	2.50	72SA10	3.10	70C4	6.00
ET311	2.50	72C8	2.80	70C1	4.00
ET526	2.50	ET029	2.20	70P1	2.50
ET114	2.50	72S10	2.80	69C11	6.00
ET8W	2.50	72R9	2.80	69F10	2.50
74SA5	4.00	72SA9	2.80	70A1	2.50
ET601M	2.50	ET033	3.30	69D10	6.00
ET601L	2.50	72MX6	3.10	69C10	3.00
ET422	3.30	72T3	3.30	69P9	3.00
74S3	2.50	ET026	2.80	69C9	6.00
ET601J	3.00	72IF6	2.20	69P5	3.00
ET423	2.20	71A8	2.80	6810CL	6.00
ET420E	3.30	72P3	2.20	69S3	6.00
ET521B	2.00	72R2	2.80	69T5	4.00

ALL SILICON 30/60w PA PORTABLE AMPLIFIER



6 1/2" W x 3 1/4" H x 8 1/2" D.
12-16V, two inputs, 5 & 100mV, 15 ohm output. No. 763D. Also 125, 250, 500 ohm output No. 763A. All \$70 each. For 240V operation \$33 extra. Freight collect.

COILS and IF's

3/4" x 1/4" x 2" H. All \$2.50 ea. plus post 30c.

RF CHOKES

Plus post 40c.

381 AIR: 2.5mh 50ma—Pye 70c.

381 IRON: 10uh to 1,000uh 25ma 70c.

FILTERS

Plus post \$1.

27: Line filter 2 amp \$12.

29: Line filter 10/20 amp \$37.50.

30: Pulse filter 2 amp \$12.

MAIL cheque or money order

(add postage) direct to:—

RCS radio pty ltd
651 FOREST RD BEXLEY
NSW 2207 587 3491